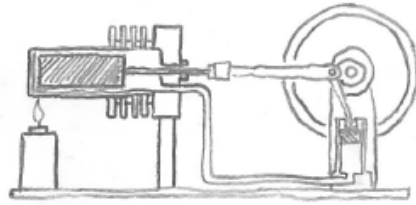
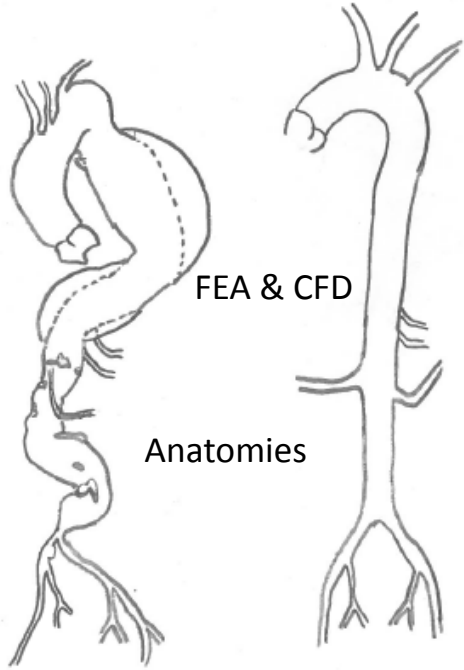
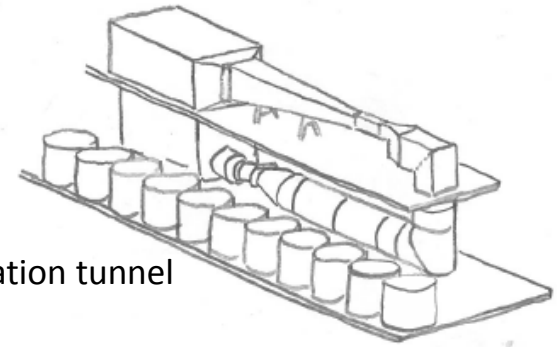
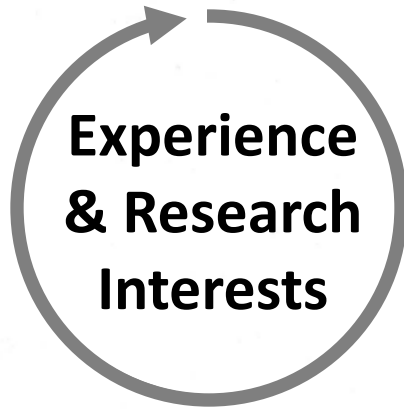
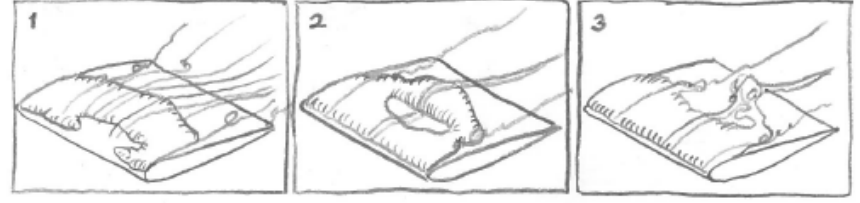


Ash Peterson

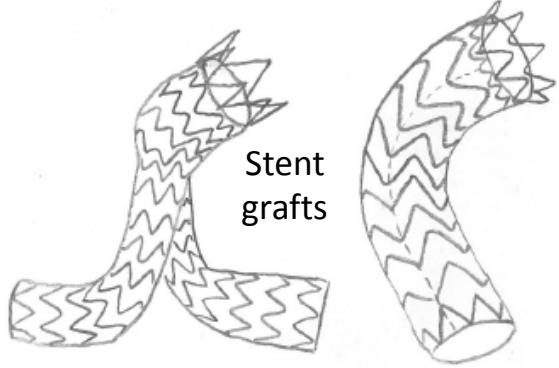


Sterling engine

Sheet cavitation

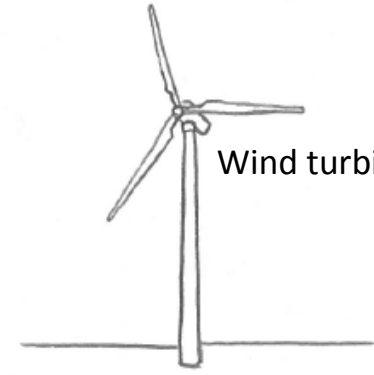
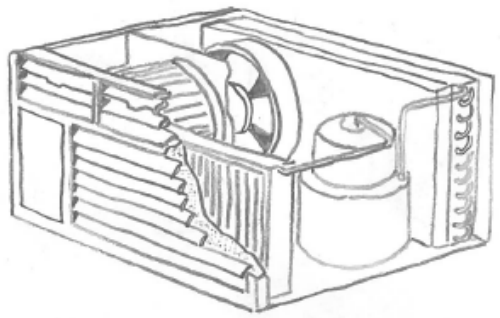


Cavitation tunnel

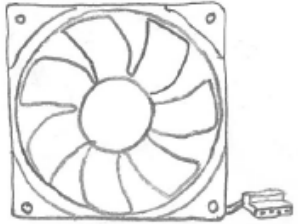


Stent
grafts

Air Conditioning System



Wind turbines



Computer fans